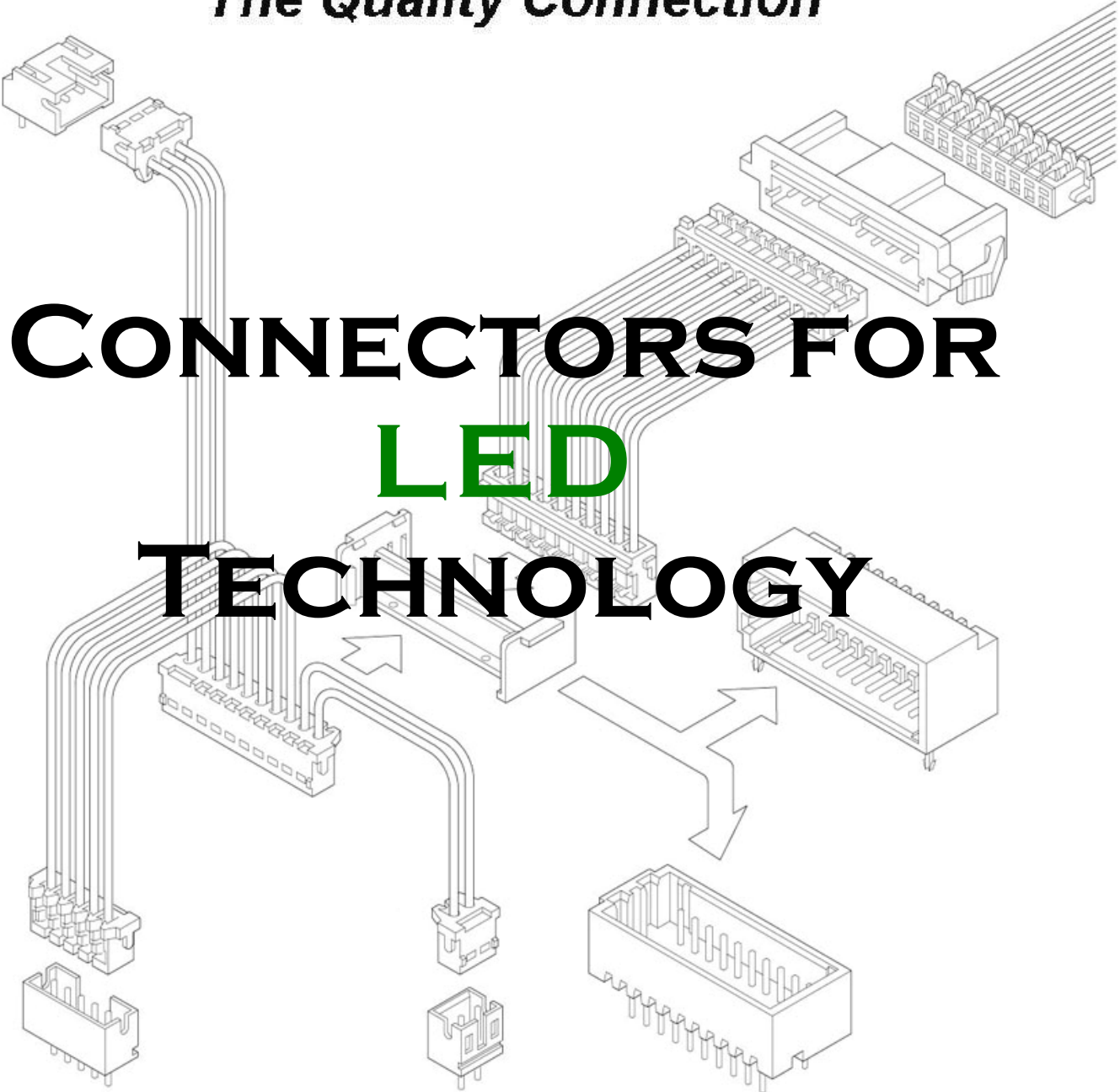


JST

The Quality Connection



CONNECTORS FOR LED TECHNOLOGY

JST DEUTSCHLAND GMBH
KÜFERSTR. 15
D-73650 WINTERBACH
TEL.: +49 / 71 81 / 40 07 -0
FAX: +49 / 71 81 / 40 07 - 21
WWW.JST.DE
CUSTOMER.SERVICE@JST.DE

Overview connector series

	SH connector wtb	ACH connector wtb & wtw	ZH connector wtb & wtw	JWPF connector wtb & wtw
pitch	1.0 mm	1.2 mm	1.5 mm	2.0 mm
number of circuits	2 to 20	wtb: 2, 3, 4; wtw: 2	wtb: 2-13; wtw: 2, 3, 9, 13	wtb: 2, 3, 4; wtw: 2, 3, 4, 8
current rating*	1A AC, DC (#28)	1.5-2A AC, DC	1A AC, DC (#26)	3A AC, DC (#22)
voltage rating	50 V AC, DC	50V AC, DC	50V AC, DC	100V AC, DC
applicable wire range	AWG 32-28	AWG 30-28	AWG 32-26	AWG 26-22
SMT	x	x	x	
THT			x	x
page	2	3	4	5

	PH connector wtb	LEA connector wtb	LEB connector wtb & btb	SFV connector Patent Pending wtb
pitch	2.0 mm	1.8 mm	4.0 mm	2.0 mm
number of circuits	2 to 16	2	1 and 2	2
current rating*	2A AC, DC (#24)	3A AC, DC (#22)	3A AC, DC (#22)	1A AC, DC (#28)
voltage rating	100V AC, DC	300V AC, DC	300V AC, DC	300V AC, DC
applicable wire range	AWG 32-24	AWG 22-30	AWG 26-22	AWG 30-28
SMT	x	x	x	x
THT	x			
page	6	7	8	9

	SFD connector Patent Pending wtb	SFG connector Patent Pending wtb	SFK connector Patent Pending wtb	SFH connector wtb
pitch	1.1 mm	1.1 mm	1.8 mm	1.8 mm
number of circuits	10	5	2	2
current rating*	1A AC, DC (#28)	1A AC, DC (#28)	3.2A AC, DC (#22)	4A AC, DC (#22/#24)
voltage rating	50V AC, DC	200V AC, DC	350V AC, DC	350V AC, DC
applicable wire range	AWG 32-28	AWG 30-28	AWG 30-22	AWG 30-22
SMT	x	x	x	x
THT				
page	10	11	12	13

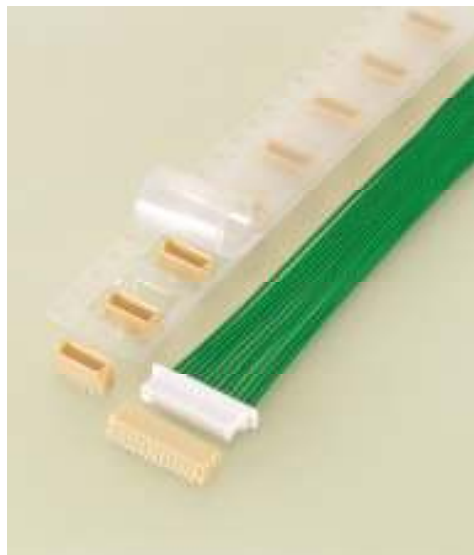
* depends on wire range

SH connector

wire to board

JST

The Quality Connection

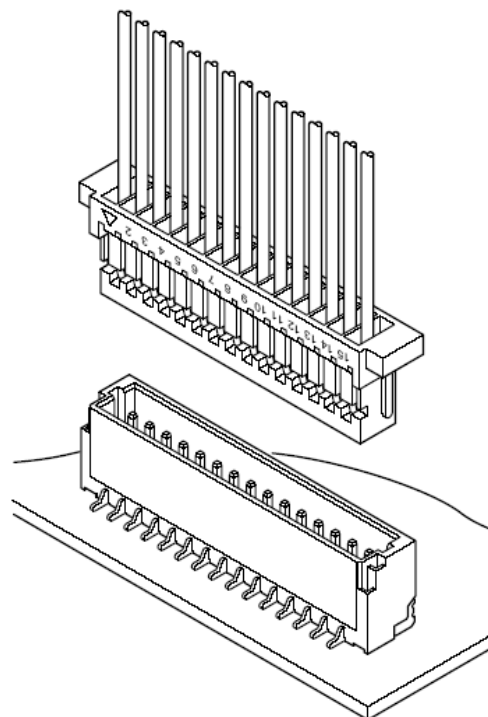


Specification:

pitch: 1.0 mm
 current rating: 1.0A AC, DC (AWG #28)
 voltage rating: 50V AC, DC
 applicable wire range: AWG #32 to #28
 number of circuits: 2 to 20

Features:

- ultra-compact, low profile design
 2.95 mm mounting height for side entry type
- embossed-tape SMT-header of series SR
- contacts and headers in tin plated and gold plated version available



Terminal AWG 32-28	SSH-003T-P0.2-H	PU: 23K
Housing with protrusions	SHR-(*)V-S-B	
Housing without protrusions	SHR-(*)V-S	
Header top entry	BM(*)B-SRSS-TB (LF)(SN)	
Header side entry	SM(*)B-SRSS-TB (LF)(SN)	

* = number of circuits

ACH connector

wire to board & wire to wire

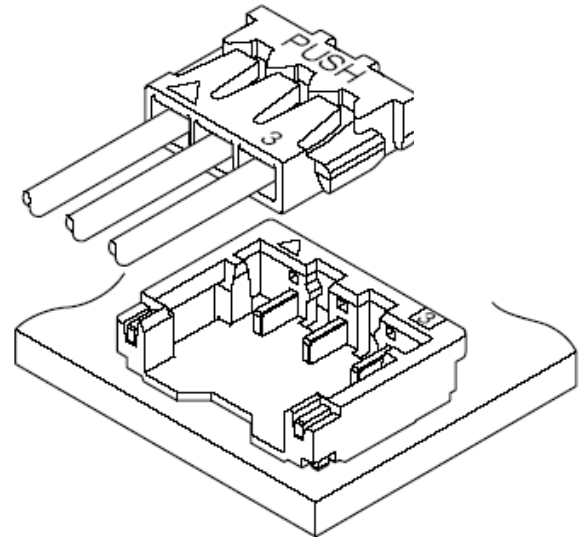
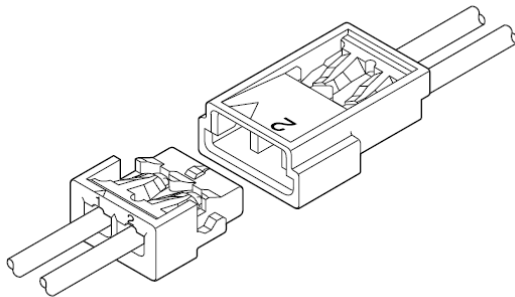


Specification:

pitch:	1.2 mm
current rating:	1.5-2A AC, DC depends on circuit no. and wire range
voltage rating:	50V AC, DC
applicable wire range:	AWG #30 to #28
number of circuits	
wire to board:	2, 3, 4
wire to wire:	2

Features:

- compact and low profile type
height: 1.4 mm
width: 4.3 mm
- top entry but side feed type
- corresponding to sucking nozzle of pick and place machine
- gold plated terminals
- headers with nickel-stripped gold plating

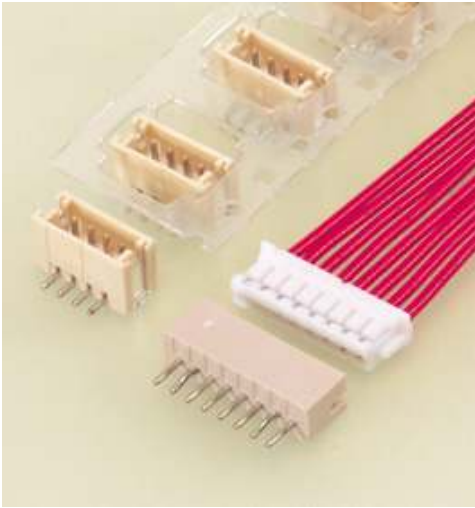


Socket terminal AWG 30-28 for wtb & wtw	SACH-003G-P0.2	PU: 30K
Housing	ACHR-(*)V-S	PU: 1K
Header	BM(*)B-ACHSS-GAN-TF (LF)(SN)	PU: 4.500
Plug housing for wtw	ACHTP-02V-S	PU: 1K
Socket housing for wtw	ACHTR-02V-S	PU: 1K
Plug terminal AWG 30-28 for wtw	SACHP-003G-P0.2	PU: 30K

* = number of circuits

ZH connector

wire to board & wire to wire (ZM)

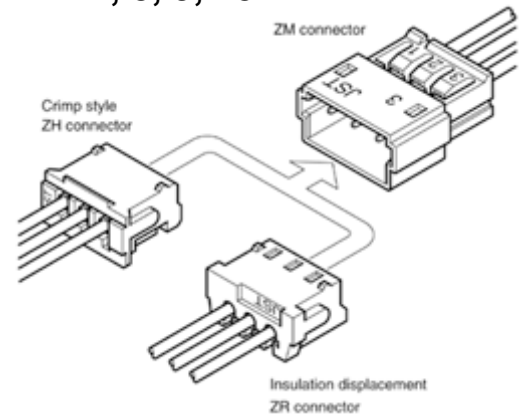
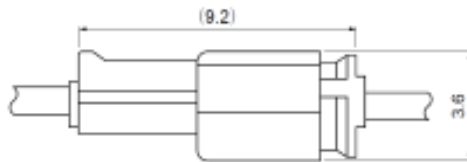


Specification:

pitch: 1.5 mm
 current rating: 1A AC, DC (AWG 26)
 voltage rating: 50V AC, DC
 applicable wire range: AWG #30 to #26
 wtw: to #28
 number of circuits
 wire to board: 2-13
 wire to wire: 2, 3, 9, 13

Features:

- compact and low profile type
 height: 5.6 mm
 width: 3.5 mm
- reliable contact construction
- top entry and side entry headers in THT and SMT version available
- top entry version also available with suction cap
- gold and tin plated terminals available



Housing ZH	ZHR-(*)	
Socket terminal ZH #28-26	SZH-002T-P0.5	PU: 13K
Socket terminal ZH #32-28	SZH-003T-P0.5	PU: 16K
Housing ZM	ZMR-(*)	
Plug terminal ZM #30-28	SMM-003T-P0.5	PU: 16K
Header THT top	B(*)B-ZR (LF)(SN)	
Header THT side	S(*)B-ZR (LF)(SN)	
Header SMT top	B(*)B-ZR-SM4-TF (LF)(SN)	
Header SMT side	S(*)B-ZR-SM2-TF (LF)(SN)	
Header SMT side with solder tabs	S(*)B-ZR-SM4A-TF (LF)(SN)	

* = number of circuits

JWPF connector

wire to board & wire to wire

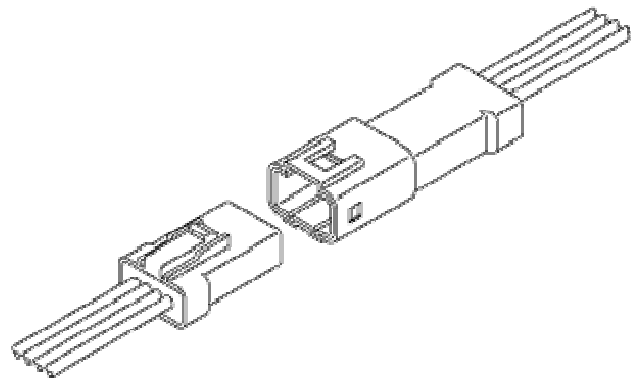


Specification:

pitch:	2.0 mm
current rating:	3A AC, DC (AWG 22)
voltage rating:	100V AC, DC
applicable wire range:	AWG #26 to #22
number of circuits	
wire to board:	2, 3 and 4
wire to wire:	2, 3, 4 and 8

Features:

- waterproof IEC 60529 IPX7
- double-spring construction
- housing-to-terminal lock
- inner-housing lock
- top entry headers THT



Socket housing	(*)R-JWPF-VSLE-S	
Socket terminal	SWPR-001T-P0.25	PU: 8.200
Header THT top entry	B(*)B-JWPF-SK-R (LF)(SN)	
Plug housing	(*)T-JWPF-VSLE-S	
Plug terminal	SWPT-001T-P025	PU: 8.200

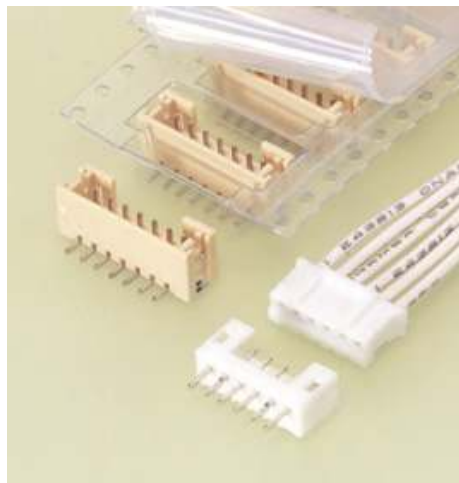
* = number of circuits

PH connector

wire to board

JST

The Quality Connection

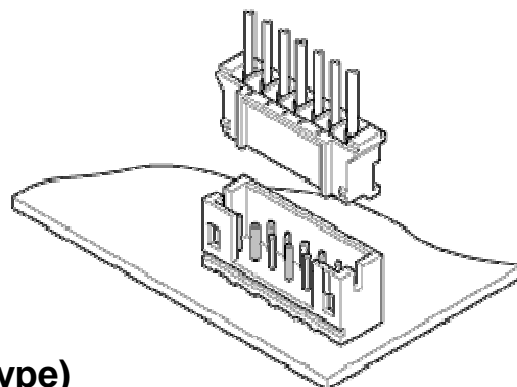


Specification:

pitch:	2.0 mm
current rating:	2A AC, DC (AWG 24)
voltage rating:	100V AC, DC
applicable wire range:	AWG #32 to #24
number of circuits:	2-16

Features:

- low profile connector:
height after mounting: 8.0 mm
width after mounting: 4.5 mm (top entry type)
- fully shrouded header
- high reliability and low in cost
- headers top and side entry in THT, SMT and SMT top entry with suction cap available
- terminals in tin and gold plated available
- housings and headers available in different colours



Housing	PHR-(*)	
Terminal AWG 30-24	SPH-002T-P0.5S	PU: 8K
Terminal AWG 28-24 Low insertion force	SPH-002T-P0.5L	PU: 8K
Terminal AWG 32-28	SPH-004T-P0.5S	PU: 10K
Header THT top entry	B(*)B-PH-K-S (LF)(SN)	
Header THT side entry	S(*)B-PH-K-S (LF)(SN)	
Header SMT top entry	B(*)B-PH-SM4-TB (LF)(SN)	
Header SMT side entry	S(*)B-PH-SM4-TB (LF)(SN)	

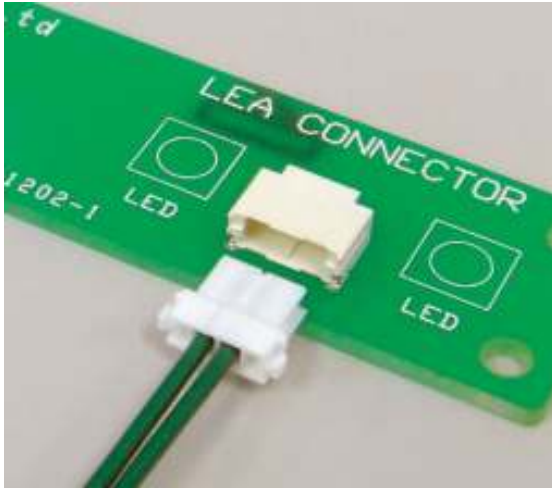
* = number of circuits

LEA connector

wire to board

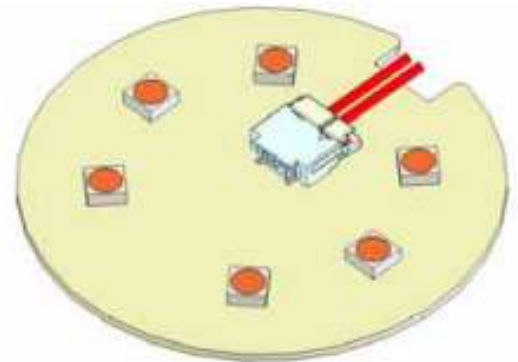
JST

The Quality Connection



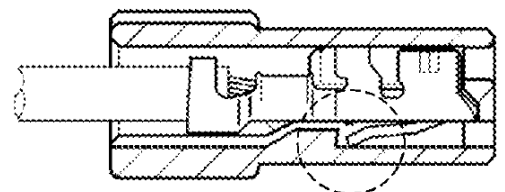
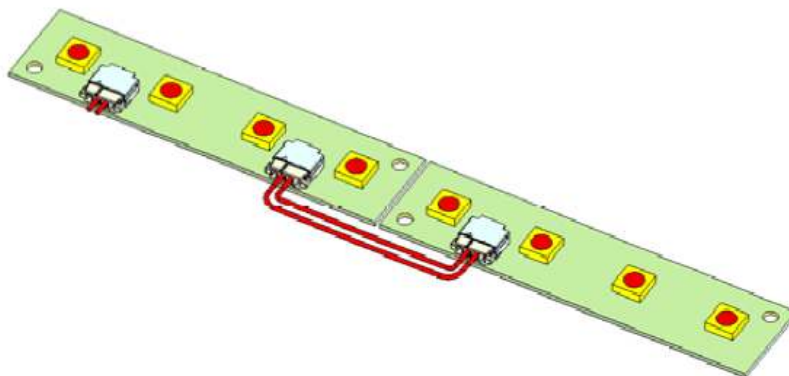
Specification:

pitch: 1.8 mm
 mating part: 4.2 mm
 soldering part: 3A AC, DC (AWG 22)
 current rating: 300V AC, DC
 voltage rating: AWG #22 to #30
 applicable wire range: 2
 number of circuits:



Features:

- low mounting height: 3.0 mm
- housing has insertion / withdrawal guides for easy and secure insertion
- innovative locking device construction to prevent incomplete mating and accidental disconnection
- side entry header SMT

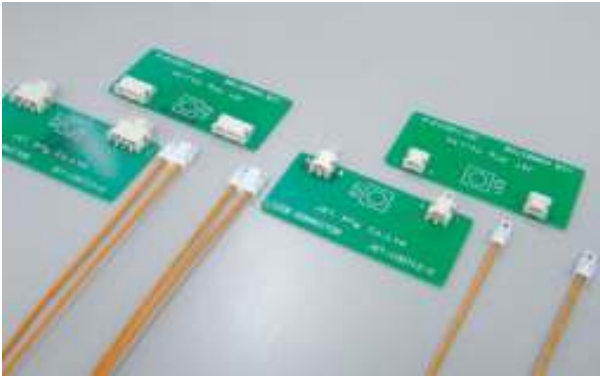


Good insertion

Housing	LEAR-02V-S
Header side entry SMT	SM02B-LEASS-TF (LF)(SN)
Terminal AWG 26-22	SSFH-001T-P0.5
Terminal AWG 30-26	SSFH-002T-P0.5

LEB connector

wire to board & board to board

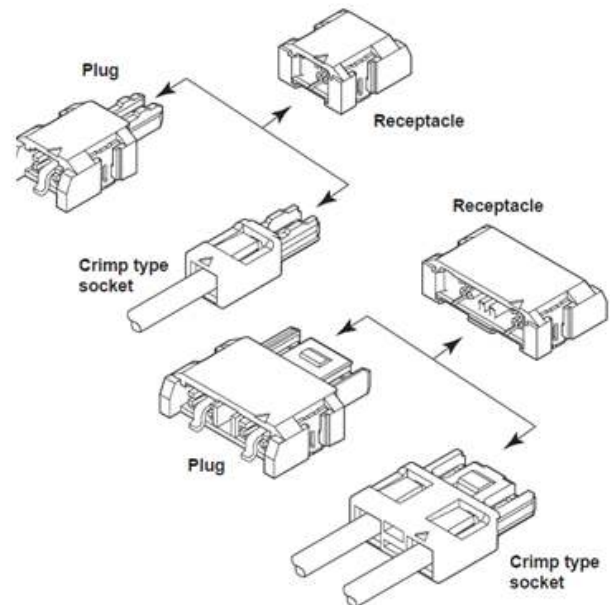


Specification:

pitch: 4.0 mm
 current rating: 3A AC, DC (AWG 22)
 voltage rating: 300V AC, DC
 applicable wire range: AWG #26 to #22
 number of circuits: 1 and 2

Features:

- low profile: height 2.7 mm
- absorbing the PCB misalignment by expansion due to heat (connector pitch direction)
- PCB layout of plug and receptacle is the same

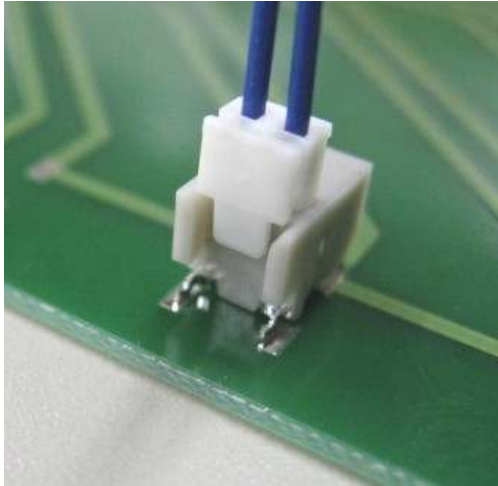


Plug Housing (BtB)	(*)P-LEBSS-TF (LF)(SN)
Receptacle Housing (BtB)	(*)R-LEBSS-TB (LF)(SN)
Plug Housing Crimp (WtB)	LEBRP-(*)V-S
Terminal AWG 26-22	SLEB-001T-P0.2

* = number of circuits

SFV connector

wire to board
Patent pending

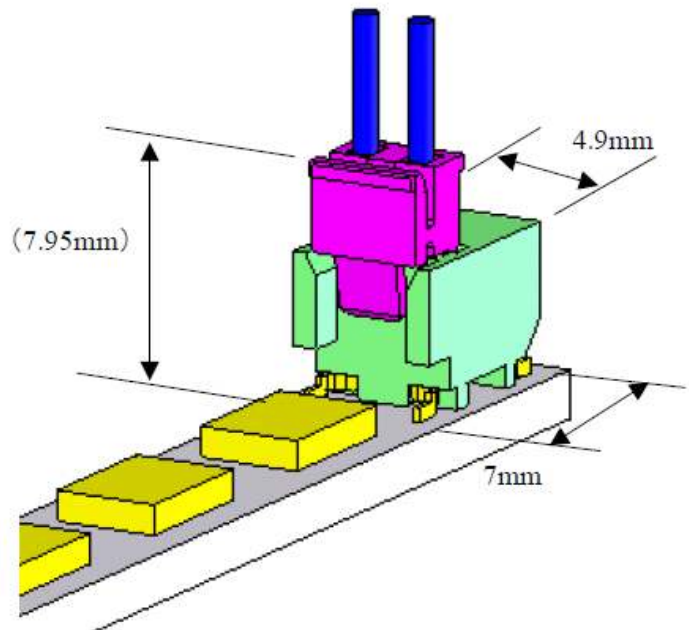


Specification:

pitch:	2.0 mm
current rating:	1A AC, DC (AWG 28)
voltage rating:	300V AC, DC
applicable wire range:	AWG #30 to #28
number of circuits:	2

Features:

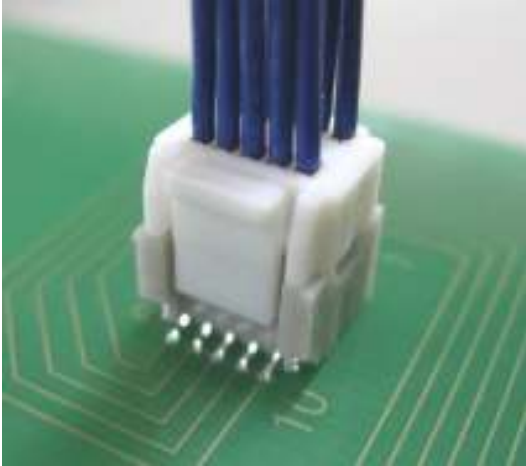
- withstand high voltage
- secure locking
- halogen free material
- developed for LCD TV



Header top entry	BM02B-SFVH (HF)
Housing	SFVR-02V-S (HF)
Terminal	SGVH-002T-P0.2

SFD connector

wire to board
Patent pending

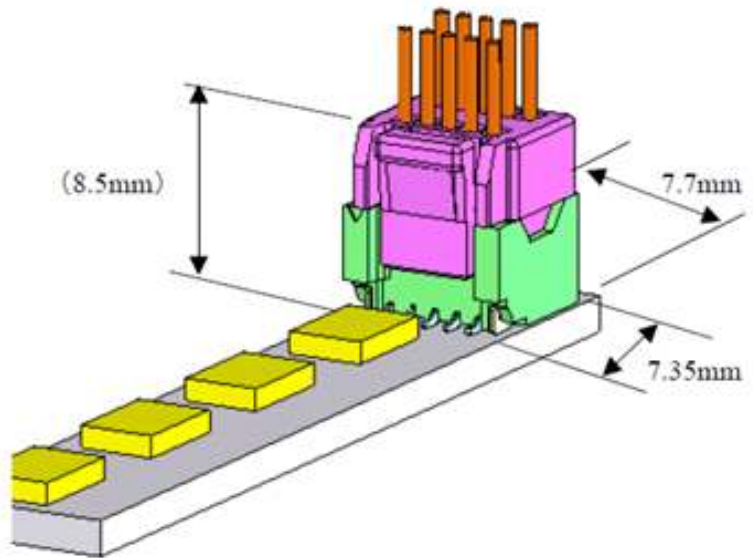


Specification:

pitch:	1.1 mm
current rating:	1A AC, DC (AWG 28)
voltage rating:	50V AC, DC
applicable wire range:	AWG #32 to #28
number of circuits:	10

Features:

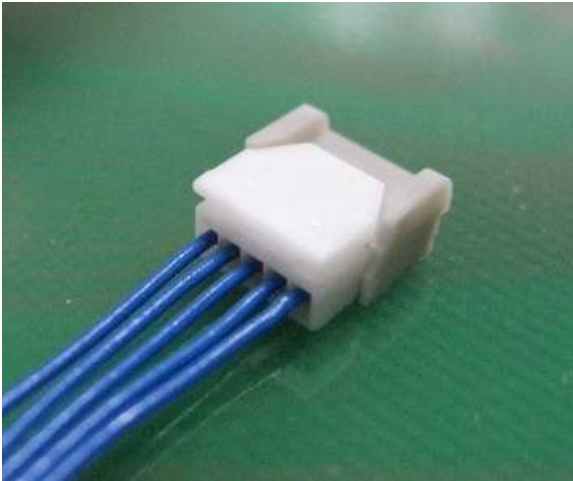
- secure locking
- halogen free material
- developed for LCD TV



Header top entry	BM10B-SFDH (HF)
Housing	SFDR-10V-S (HF)
Terminal	SSFD-003T-P0.2

SFG connector

wire to board
Patent pending

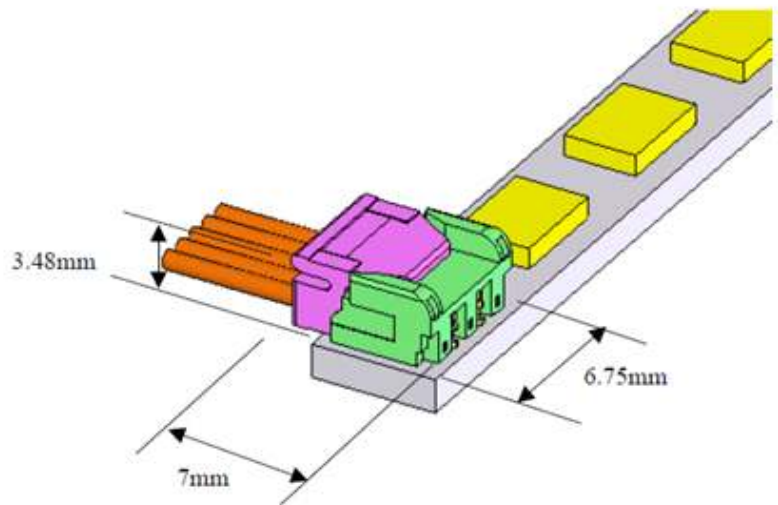


Specification:

pitch:	1.1 mm
current rating:	1A AC, DC (AWG 28)
voltage rating:	200V AC, DC
applicable wire range:	AWG #30 to #28
number of circuits:	5

Features:

- withstand high voltage
- secure locking
- halogen free material
- developed for LCD TV



Header side entry	SM05B-SFGH (HF)
Housing	SFGR-05V-S
Terminal	SSFG-003T-P0.2

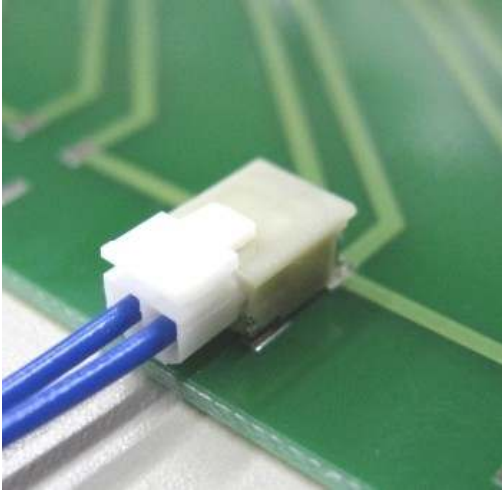
SFK connector

wire to board

Patent pending

JST

The Quality Connection

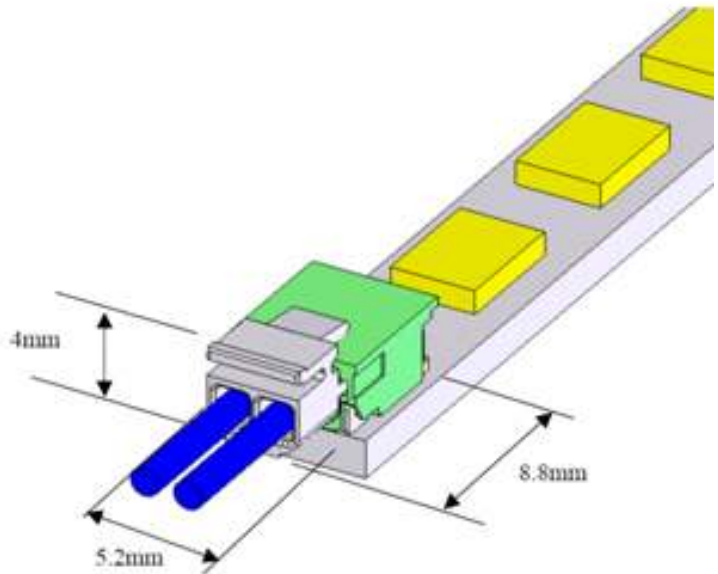


Specification:

pitch:	1.8 mm
current rating:	3.2A AC, DC (AWG 22)
voltage rating:	350V AC, DC
applicable wire range:	AWG #30 to #22
number of circuits:	2

Features:

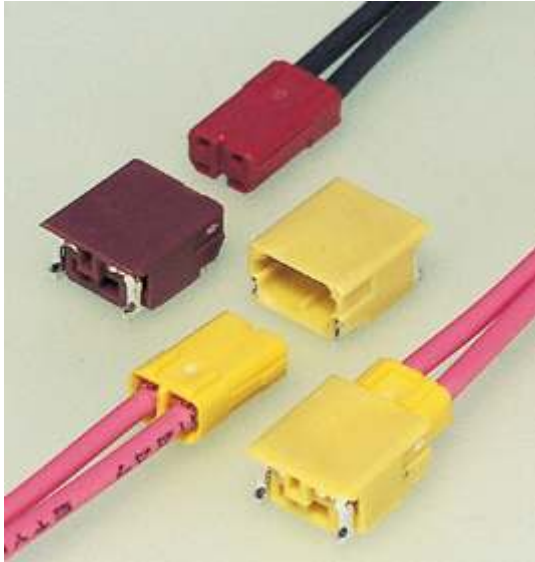
- withstand high voltage
- secure locking
- halogen free material
- developed for LCD TV



Header side entry	SM02B-SFKH
Housing	SFKR-02V-S
Terminal AWG 26-22	SSFH-001T-P0.5
Terminal AWG 30-26	SSFH-002T-P0.5

SFH connector

wire to board

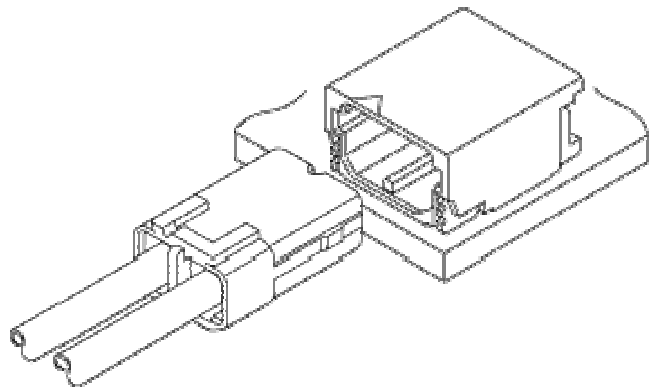


Specification:

pitch:	1.8 mm
current rating:	4A AC, DC (#22/#24)
voltage rating:	350V AC, DC
applicable wire range:	AWG #30 to #22
number of circuits:	2

Features:

- withstand high voltage
- low profile (height 3.0 mm)
- available in 2 colours (red and yellow)



Header side entry	SM02B-SFHRS-TF (red) SM02B-SFHLS-TF (yellow)
Housing	SFHR-02V-R (red) SFHR-02V-L (yellow)
Terminal AWG 26-22	SSFH-001T-P0.5
Terminal AWG 30-26	SSFH-002T-P0.5